



CASE: P16-11 84×58×38mm

MS-15W系列单组输出

接线位置：5位 6.5mm端子

L, N : AC输入

⊕ : 接大地

-V : DC输出负端

+V : DC输出正端

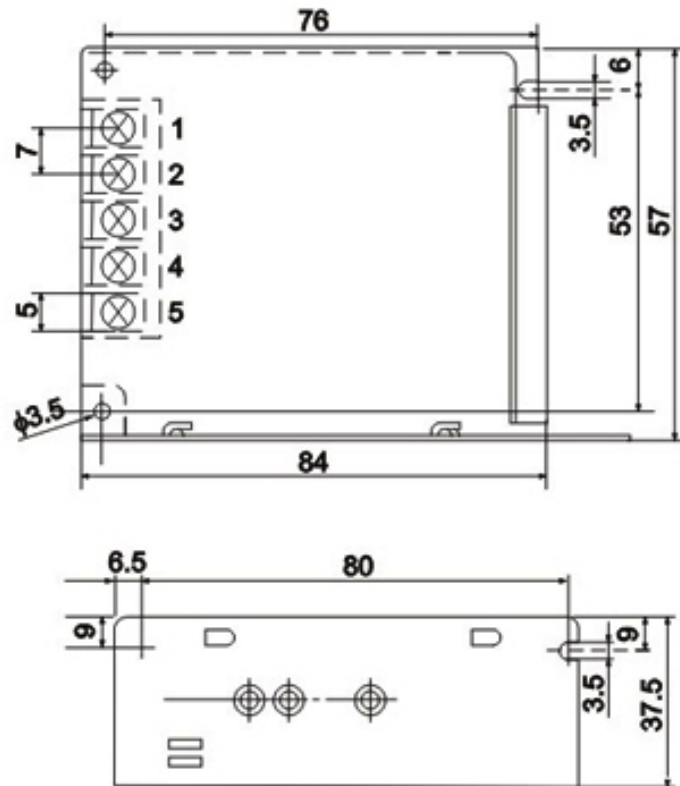
| | |
|---------------------------------------|---|
| 输入电压范围 AC input voltage range | 170-264VAC 47-63VAC 240-370VDC |
| 输入电流 Input current | 0.25A/230V |
| 冲击电流 AC inrush current | 冷启动电流 30A/230V Cold-start current 30A/230V |
| 漏电流 Leakage current | <0.5mA/240VAC |
| 直流电压可调范围 DC adjustable range | 额定输出电压的±10% ±10% rated output voltage |
| 过载保护 Over load protection | 105-150% 切断输出, 自动恢复 105-150% hiccup mode, auto-recovery |
| 过电压保护 Over-voltage protection | |
| 启动、上升、保持时间 Setup rise hold up time | 200ms 100ms 30ms |
| 耐压性 Withstand voltage | I/P-O/P: 1.5KVAC 1minute I/P-FG: 1.5KVAC 1minute O/P-O/P: 0.5KVAC 1minute |
| 工作温度、湿度 Working temperature | -10 ~ +60 .20%-90% RH |
| 重量/包装 Weight/packing | 0.16kg.80pcs/12.8kg |

| 型号type | 输出Output | 差值Error | 范围Range | 效率Efficiency |
|----------|-------------|---------|---------|--------------|
| MS-15-5 | 5V, 0-3A | ±2% | 50mV | 65% |
| MS-15-12 | 12V, 0-1.3A | ±1% | 50mV | 68% |
| MS-15-24 | 24V, 0-0.7A | ±1% | 100mV | 72% |

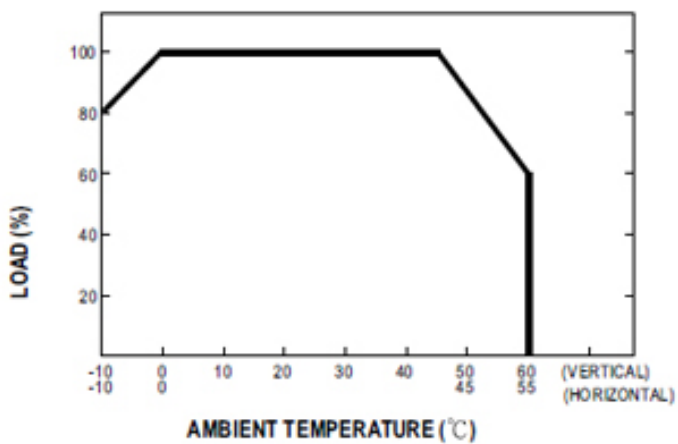
| | |
|-------|---|
| NOTE: | <ol style="list-style-type: none"> 1. All parameters NOT specially mentioned are measured at 230VAC input, rated load and 25 °C of ambient temperature. 2. Ripple & noise are measured at 20MHz of bandwidth by using a 12" twisted pair-wire terminated with a 0.1uf & 47uf parallel capacitor. 3. Tolerance : includes set up tolerance, line regulation and load regulation. 4. The power supply is considered a component which will be installed into a final equipment. The final equipment must be re-confirmed that it still meets EMC directives. 5. If the power supply is short-circuited under no load, it will recover automatically when short-circuit is removed. |
|-------|---|

■ Mechanical Specification

Case No. 901 Unit:mm



■ Derating Curve



■ Static Characteristics (24V)

