



CASE: P16-11 84×58×38mm

MS-35W系列单组输出

接线位置：5位 6.5mm端子

L, N : AC输入

⊕ : 接大地

-V : DC输出负端

+V : DC输出正端

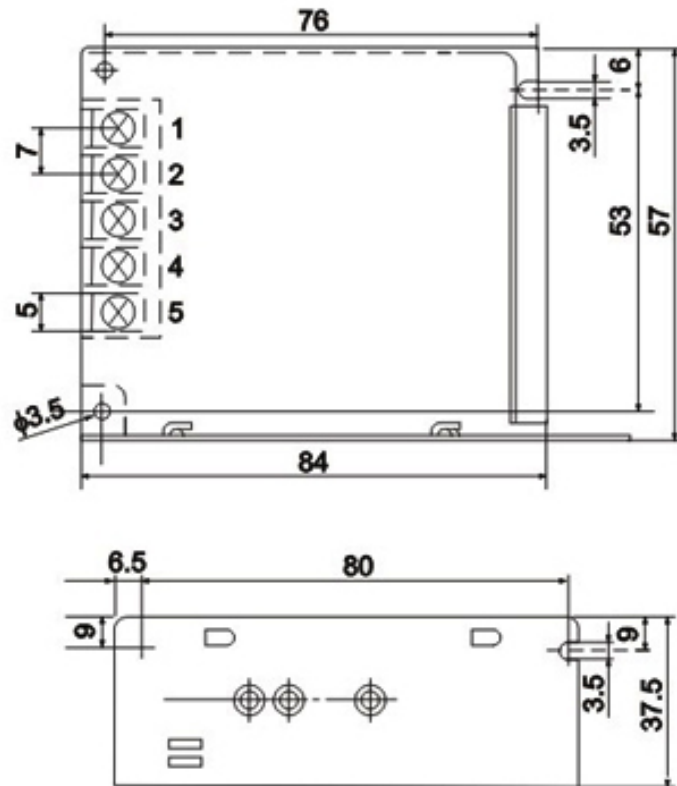
输入电压范围 AC input voltage range	170-264VAC 47-63Hz 240-370VDC
输入电流 Input current	0.45A/230V
冲击电流 AC inrush current	冷启动电流 36A/230V Cold-start current 36A/230V
漏电流 Leakage current	<2mA/240VAC
直流电压可调范围 DC adjustable range	额定输出电压的±10% ±10% rated output voltage
过载保护 Over load protection	105-150% 切断输出, 自动恢复 105-150% hiccup mode, auto-recovery
过电压保护 Over-voltage protection	
启动、上升、保持时间 Setup rise hold up time	200ms 100ms 30ms
耐压性 Withstand voltage	I/P-O/P: 1.5KVAC 1minute I/P-FG: 1.5KVAC 1minute O/P-O/P: 0.5KVAC 1minute
工作温度、湿度 Working temperature	-10 ~ +60 .20%-90% RH
重量/包装 Weight/packing	0.16kg.80pcs/12.8kg

型号type	输出Output	差值Error	范围Range	效率Efficiency
MS-35-12	12V, 0-3A	±1%	100mV	76%
MS-35-15	15V, 0-2.4A	±1%	100mV	78%
MS-35-24	24V, 0-1.5A	±1%	100mV	78%

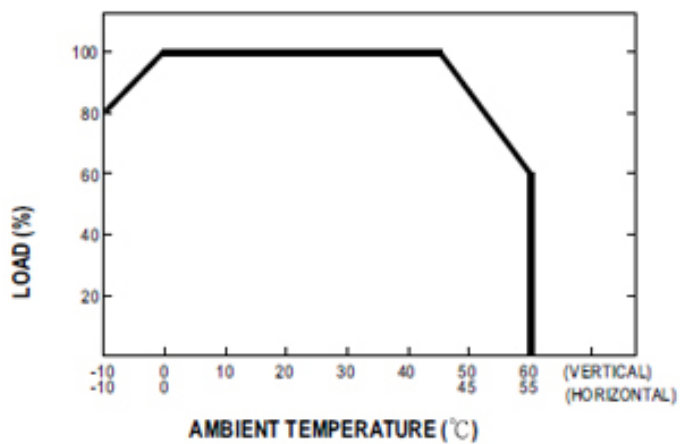
NOTE:	<ol style="list-style-type: none"> All parameters NOT specially mentioned are measured at 230VAC input, rated load and 25 °C of ambient temperature. Ripple & noise are measured at 20MHz of bandwidth by using a 12" twisted pair-wire terminated with a 0.1uf & 47uf parallel capacitor. Tolerance : includes set up tolerance, line regulation and load regulation. The power supply is considered a component which will be installed into a final equipment. The final equipment must be re-confirmed that it still meets EMC directives. If the power supply is short-circuited under no load, it will recover automatically when short-circuit is removed.
-------	--

■ Mechanical Specification

Case No. 901 Unit:mm



■ Derating Curve



■ Static Characteristics (24V)

