


S-15W系列单组输出

接线位置：5位 9.5mm端子
 L, N : AC输入
 : 接大地
 -V : DC输出负端
 +V : DC输出正端



CASE: P15-2 99×97×35mm

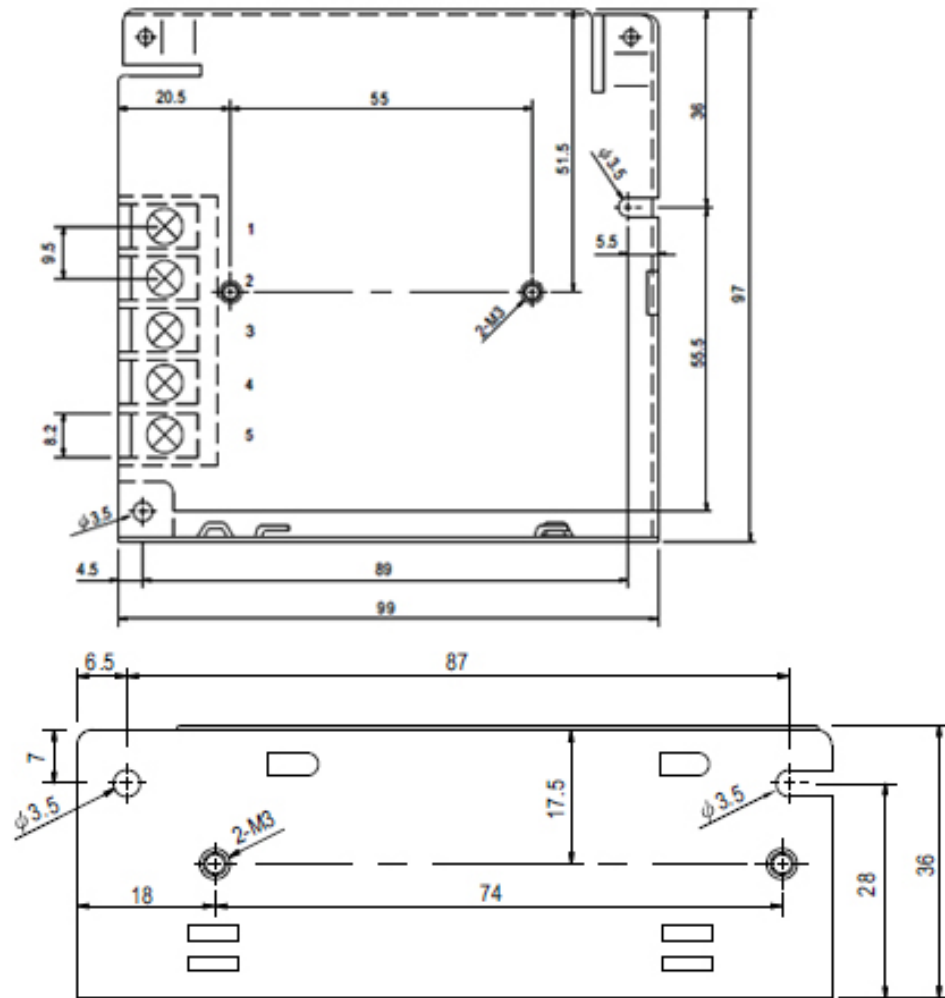
输入电压范围 AC input voltage range	85-132VAC 170-264VAC 47-63Hz 240-370VDC
输入电流 Input current	0.5A/115V 0.25A/230V
冲击电流 AC inrush current	冷启动电流 15A/115V 30A/230V Cold-start current 15A/115V 30A/230V
漏电流 Leakage current	<0.5mA/240VAC
直流电压可调范围 DC adjustable range	额定输出电压的±10% ±10% rated output voltage
过载保护 Over load protection	105-150% 切断输出, 自动恢复 105-150% hiccup mode, auto-recovery
过电压保护 Over-voltage protection	
启动、上升、保持时间 Setup rise hold up time	200ms 100ms 30ms
耐压性 Withstand voltage	I/P-O/P: 1.5KVAC 1minute I/P-FG: 1.5KVAC 1minute O/P-O/P: 0.5KVAC 1minute
工作温度、湿度 Working temperature	-10 ~ +60 .20%-90% RH
重量/包装 Weight/packing	0.3kg.60pcs/18kg

型号type	输出Output	差值Error	范围Range	效率Efficiency
S-15-5	5V, 0-3A	±2%	50mV	65%
S-15-12	12V, 0-1.3A	±1%	50mV	68%
S-15-24	24V, 0-0.7A	±1%	100mV	72%

NOTE:	<ol style="list-style-type: none"> All parameters NOT specially mentioned are measured at 230VAC input, rated load and 25 °C of ambient temperature. Ripple & noise are measured at 20MHz of bandwidth by using a 12" twisted pair-wire terminated with a 0.1uf & 47uf parallel capacitor. Tolerance : includes set up tolerance, line regulation and load regulation. The power supply is considered a component which will be installed into a final equipment. The final equipment must be re-confirmed that it still meets EMC directives. If the power supply is short-circuited under no load, it will recover automatically when short-circuit is removed.
-------	--

Mechanical Specification

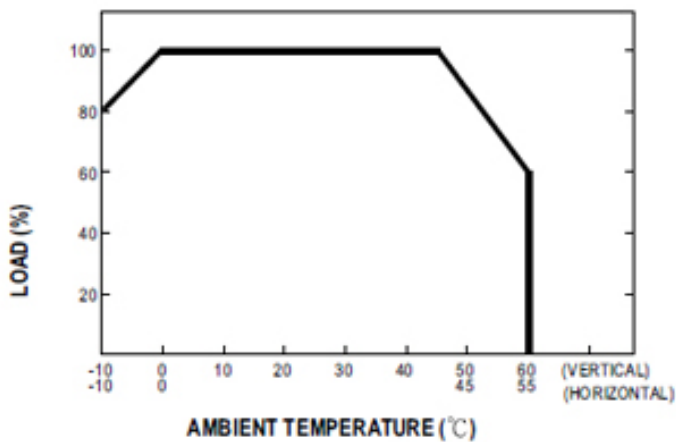
Case No. 901 Unit:mm



Terminal Pin. No Assignment

Pin No.	Assignment	Pin No.	Assignment
1	DC OUTPUT +V	3	FG \perp
2	DC OUTPUT -V	4,5	AC INPUT

Derating Curve



Static Characteristics (24V)

