



■ Features :

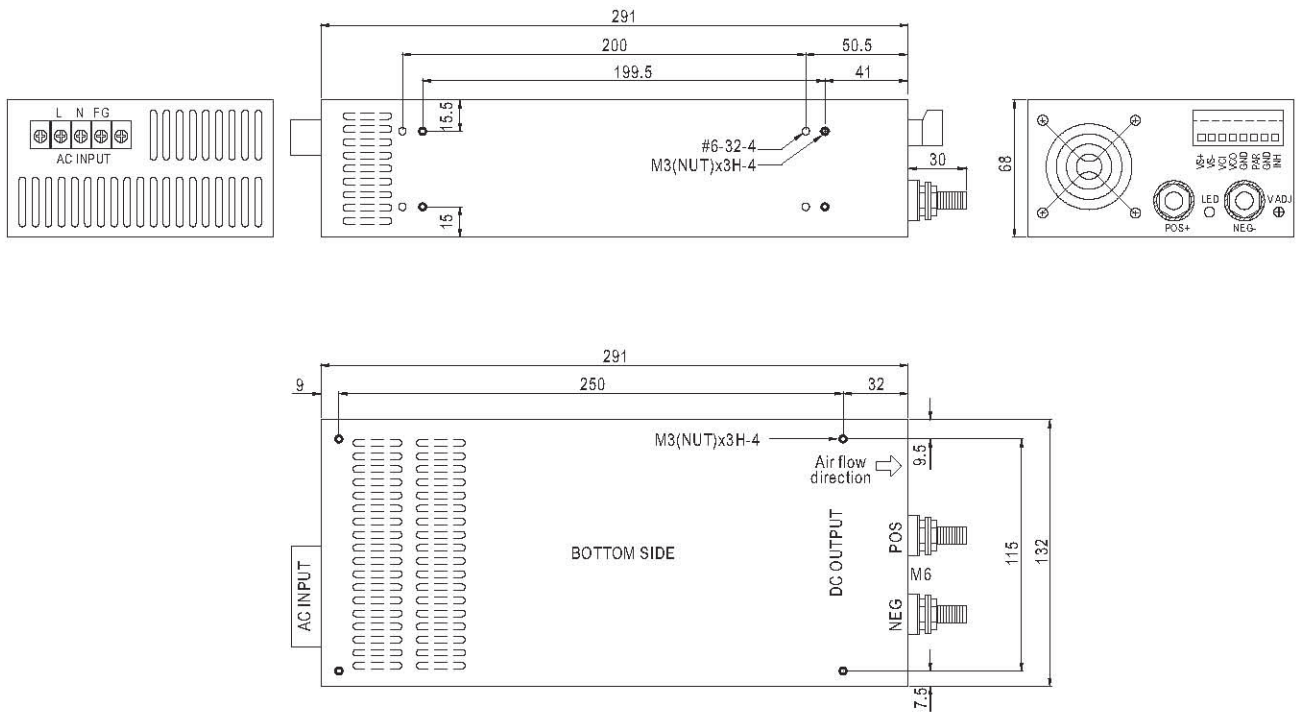
- AC input range selected by switch
- Protections: Short circuit / Overload / Over voltage / Over temp.
- High reliability/ Low ripple noise
- Built-in remote sense function
- Built-in remote ON-OFF control
- Built-in parallel operation function
- Can adjust from 20~100% output voltage by external control 1-5V
- Forced air cooling by built-in DC fan
- Case coating with paint
- 2 years warranty

SPECIFICATION

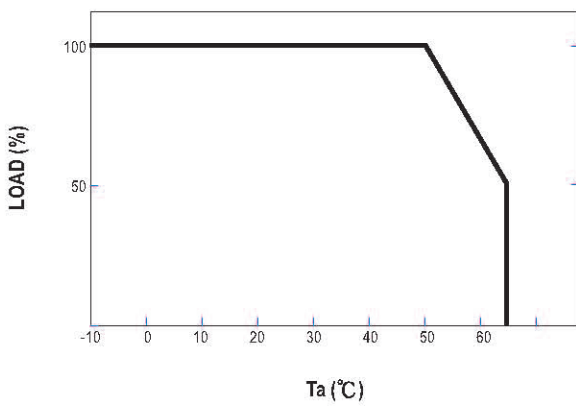
ORDER NO.	SCN-800-12	SCN-800-15	SCN-800-24	SCN-800-48	
OUTPUT	SAFETY MODEL NO.	800S-N012	800S-N015	800S-N024	800S-N048
	DC VOLTAGE	12V	15V	24V	48V
	RATED CURRENT	66A	54A	33A	16.6A
	CURRENT RANGE	0 ~ 66A	0 ~ 54A	0 ~ 33A	0 ~ 16.6A
	RATED POWER	792W	810W	792W	796W
	RIPPLE & NOISE (max.) Note.2	150mVp-p	150mVp-p	240mVp-p	480mVp-p
	VOLTAGE ADJ. RANGE	±5.0% typical adjustment by potentiometer 20~100% adjustment by 1~5VDC external control			
	VOLTAGE TOLERANCE Note.3	±1.0%	±1.0%	±1.0%	±1.0%
	LINE REGULATION	±0.5%	±0.5%	±0.5%	±0.5%
	LOAD REGULATION	±0.5%	±0.5%	±0.5%	±0.5%
SETUP, RISE, HOLD UP TIME	800ms, 50ms, 16ms at full load				
INPUT	VOLTAGE RANGE	90 ~ 130VAC / 180 ~ 260VAC selected by switch, 260 ~ 370VDC			
	FREQUENCY RANGE	47 ~ 63Hz			
	EFFICIENCY (Typ.)	80%	81%	85%	87%
	AC CURRENT	13A / 115VAC 8.0A / 230VAC			
	INRUSH CURRENT (max.)	60A / 230VAC			
	LEAKAGE CURRENT (max.)	3.5mA / 240VAC			
PROTECTION	OVERLOAD	110 ~ 135% rated output power Protection type : Current limiting, delay shut down o/p voltage, re-power on to recover			
	OVER VOLTAGE	110 ~ 135% follow to output set up point Protection type : Shut down o/p voltage, re-power on to recover			
	OVER TEMPERATURE	>100°C / measure by heat sink, near transformer Protection type : Shut down o/p voltage, re-power on to recover			
ENVIRONMENT	WORKING TEMP.	-10 ~ +65°C (Refer to output load derating curve)			
	WORKING TEMP., HUMIDITY	20% ~ 90% RH non-condensing			
	STORAGE TEMP., HUMIDITY	-20 ~ +85°C, 10 ~ 95% RH			
	TEMP. COEFFICIENT	±0.04% / °C (0 ~ 50°C)			
	VIBRATION	10 ~ 200Hz, 2G 10min./1cycle, period for 60min. each along X, Y, Z axes			
SAFETY & EMC (Note. 4)	SAFETY STANDARDS	Design refer to UL1950, CSA22.2, IEC60950			
	WITHSTAND VOLTAGE	I/P-O/P, I/P-FG:1500VAC			
	ISOLATION RESISTANCE	I/P-O/P, I/P-FG, >100M Ohms / 500VDC / 25°C / 70% RH			
	EMI CONDUCTION & RADIATION	Design refer to FCC part 15 class A			
	HARMONIC CURRENT	----			
	EMS IMMUNITY	----			
OTHERS	MTBF	120khrs min. MIL-HDBK-217F (25°C)			
	DIMENSION	291*132*68mm (L*W*H)			
	PACKING	2.3kg; 8pcs/ 24kg /CARTON			
	SPECIAL FUNCTION	DC voltage adj., Remote sensing, remote control, parallel operation (refer to terminal instruction manual)			
NOTE	<p>1.All parameters are specified at 230VAC input, rated load, 25°C 70% RH ambient.</p> <p>2.Tolerance: includes set up tolerance, line regulation, load regulation.</p> <p>3.Ripple & noise are measured at 20MHz by using a 12" twisted pair terminated with a 0.1uf & 47uf capacitor.</p> <p>4.The power supply is considered a component which will be installed into a final equipment. The final equipment must be re-confirmed that it still meets EMC directives.</p>				

Mechanical Specification

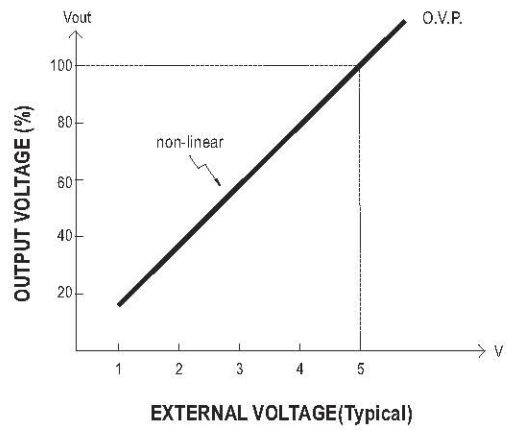
Unit:mm



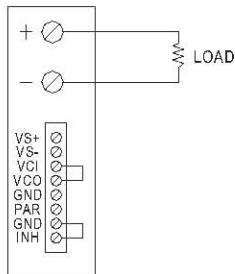
Derating Curve



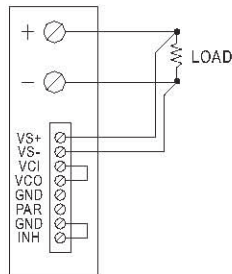
External DC Control VS Output Voltage



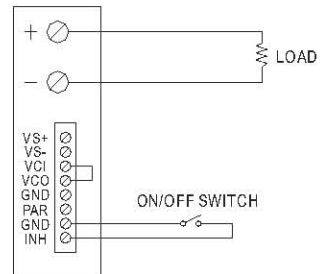
■ Control terminal instruction manual



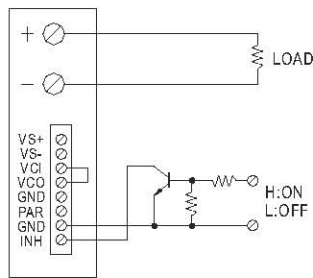
USING INTERNAL VOLTAGE CONTROL



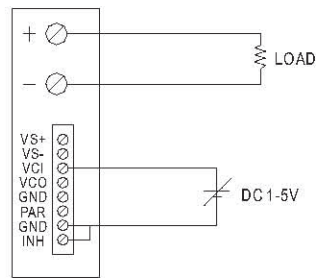
REMOTE SENSING



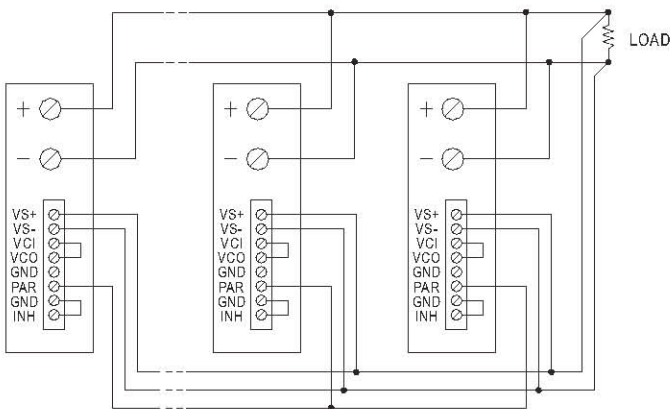
ON/OFF CONTROL BY SWITCH



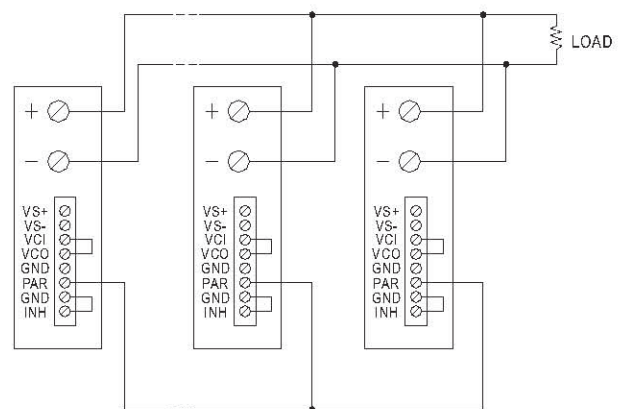
ON/OFF CONTROL BY TRANSISTOR



OUTPUT VOLTAGE ADJUST WITH DC 1-5V



PARALLEL OPERATION WITH REMOTE SENSING



PARALLEL OPERATION