

## S-35W系列单组输出



CASE: P15-3 129×98×38mm

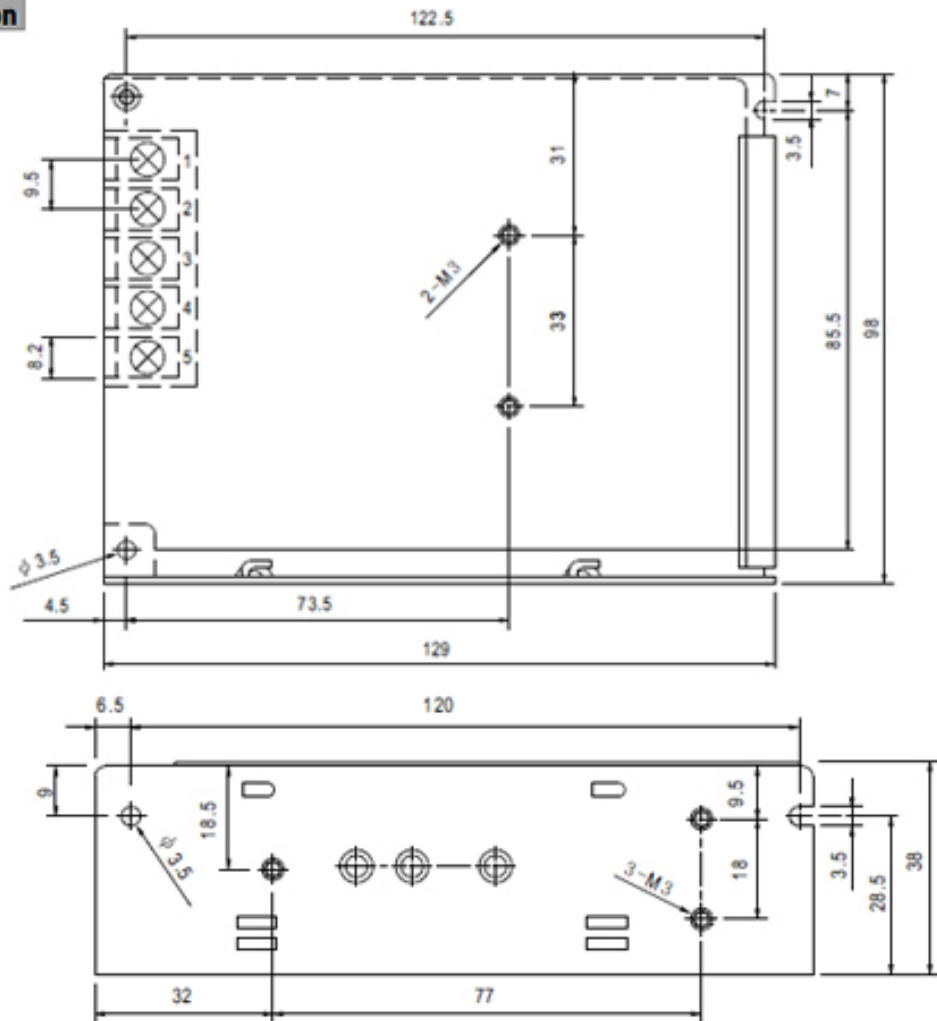
接线位置：5位 9.5mm端子  
 L, N : AC输入  
 ⊕ : 接大地  
 -V : DC输出负端  
 +V : DC输出正端

输入电压范围 AC input voltage range	85-132VAC/170-264VAC 47-63Hz 240-370VDC
输入电流 Input current	0.8A/115V 0.45A/230V
冲击电流 AC inrush current	冷启动电流 18A/115V 36A/230V Cold-start current 18A/115V 36A/230V
漏电流 Leakage current	<2mA/240VAC
直流电压可调范围 DC adjustable range	额定输出电压的±10% ±10% rated output voltage
过载保护 Over load protection	105-150% 切断输出, 自动恢复 105-150% hiccup mode, auto-recovery
过电压保护 Over-voltage protection	
启动、上升、保持时间 Setup rise hold up time	200ms 100ms 30ms
耐压性 Withstand voltage	I/P-O/P: 1.5KVAC 1minute I/P-FG: 1.5KVAC 1minute O/P-O/P: 0.5KVAC 1minute
工作温度、湿度 Working temperature	-10 ~ +60 .20%-90% RH
重量/包装 Weight/packing	0.4kg.45pcs/18kg

型号type	输出Output	差值Error	范围Range	效率Efficiency
S-35-5	5V , 0-7A	±2%	75mV	70%
S-35-12	12V , 0-3A	±1%	100mV	76%
S-35-15	15V , 0-2.4A	±1%	100mV	78%
S-35-24	24V , 0-1.5A	±1%	100mV	78%

NOTE:	<ol style="list-style-type: none"> <li>All parameters NOT specially mentioned are measured at 230VAC input, rated load and 25 of ambient temperature.</li> <li>Ripple &amp; noise are measured at 20MHz of bandwidth by using a 12" twisted pair-wire terminated with a 0.1uf &amp; 47uf parallel capacitor.</li> <li>Tolerance : includes set up tolerance, line regulation and load regulation.</li> <li>The power supply is considered a component which will be installed into a final equipment. The final equipment must be re-confirmed that it still meets EMC directives.</li> <li>If the power supply is short-circuited under no load, it will recover automatically when short-circuit is removed.</li> </ol>
-------	---

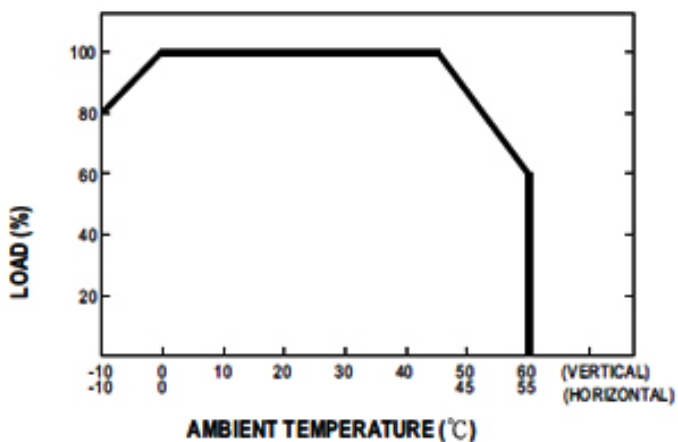
## Mechanical Specification



Terminal Pin. No Assignment

Pin No.	Assignment	Pin No.	Assignment
1	AC/L	4	DC OUTPUT -V
2	AC/N	5	DC OUTPUT +V
3	FG $\downarrow$		

## Derating Curve



## Static Characteristics (24V)

